


**NTN BEARING CORPORATION OF AMERICA**

Head Office

1600 E. Bishop Court, P.O. Box 7604

Mount Prospect, IL 60056-7604, U.S.A.

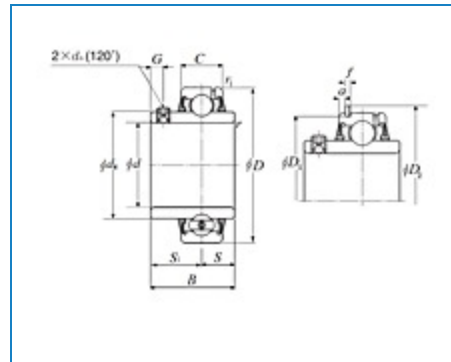
**Phone:** 847-298-7500

**Fax:** 847-699-9744

**Toll Free:** 800-323-2358

**Email:** [mkt@ntnamerica.com](mailto:mkt@ntnamerica.com)
**Website:** [www.ntnamericas.com](http://www.ntnamericas.com)

## Item # UCS202-010LD1NR, Bearing Insert w/ Set Screw, Wide Inner Ring - Cylindrical O.D., Snap Ring



[Order Now](#) | [Technical Specifications](#) | [Dimensional Specifications](#)

### Order Now

#### Ordering Options

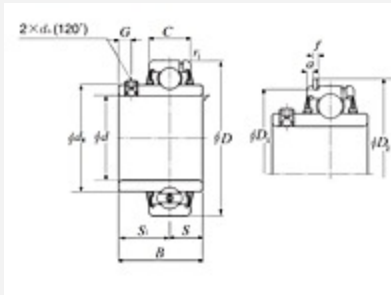
[Order Online through NTN DOL](#)  
[Contact NTN Customer Relations](#)  
[Search for a Licensed Distributor](#)

### Technical Specifications

|                     |                        |
|---------------------|------------------------|
| <b>Type</b>         | Insert Bearing         |
| <b>Bore Type</b>    | Round                  |
| <b>Bearing Type</b> | Ball Bearing           |
| <b>Material</b>     | Through Hardened Steel |

|                                    |                                 |
|------------------------------------|---------------------------------|
| <b>Ball Material</b>               | Steel                           |
| <b>Seal Type</b>                   | Contact                         |
| <b>Seal Material</b>               | Nitrile Rubber                  |
| <b>Performance</b>                 | Standard Duty                   |
| <b>Locking Device</b>              | 2 -120° Set Screw               |
| <b>Lubrication</b>                 | Relubricatable                  |
| <b>Radial Internal Clearance</b>   | CN                              |
| <b>Static Load Rating</b>          | 1500 lbf<br>6650 N<br>6.65 kN   |
| <b>Dynamic Load Rating</b>         | 2880 lbf<br>12800 N<br>12.80 kN |
| <b>Enclosure</b>                   | Double Sealed                   |
| <b>Weight</b>                      | 0.441 lb<br>0.200 kg            |
| <b>Operating Temperature Range</b> | -40 to 250 °F<br>-40 to 120 °C  |

## Dimensional Specifications



Bearing Insert w/ Set Screw, Wide Inner Ring - Cylindrical O.D., Snap Ring - Dimensions

|          |                        |
|----------|------------------------|
| <b>d</b> | 0.6250 in<br>15.875 mm |
| <b>D</b> | 1.8504 in<br>47.000 mm |

|           |                        |
|-----------|------------------------|
| <b>C</b>  | 0.6693 in<br>17.000 mm |
| <b>B</b>  | 1.2205 in<br>31.000 mm |
| <b>r</b>  | 0.0236 in<br>0.600 mm  |
| <b>r1</b> | 0.0236 in<br>0.600 mm  |
| <b>ds</b> | 10-32 UNF              |
| <b>G</b>  | 0.1772 in<br>4.500 mm  |
| <b>d4</b> | 1.1654 in<br>29.600 mm |
| <b>S1</b> | 0.7205 in<br>18.300 mm |
| <b>S</b>  | 0.5000 in<br>12.700 mm |
| <b>a</b>  | 0.1220 in<br>3.100 mm  |
| <b>f</b>  | 0.0591 in<br>1.500 mm  |
| <b>D1</b> | 1.7559 in<br>44.600 mm |
| <b>D2</b> | 2.0748 in<br>52.700 mm |