



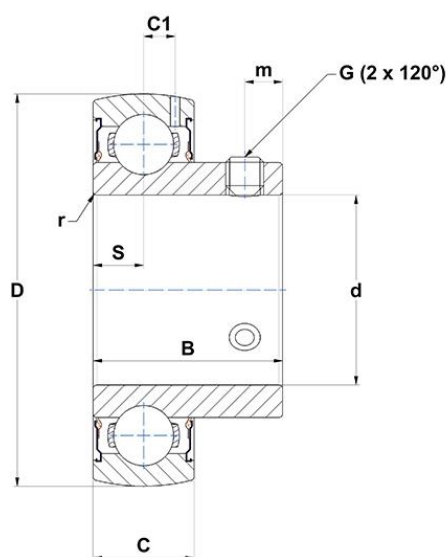
Technical data

US204G2T20

Insert bearings

Spherical outer diameter, fixing by socket set screw, single lip seal, for high-temp. applications

VISUAL (S)



PRODUCT PERFORMANCE

Dynamic load rating (C)	12.8 kN
Static load rating (C0)	6.65 kN
Operating temperature min.	-20.0 °C
Operating temperature max.	200.0 °C

OTHER FEATURES

Mass	0.13 kg
Recommended tightening torque for set screw [Nm]	5.5 N-m

PRODUCT DIMENSIONS

Width of IR (B)	25.0 mm
Width of OR (C)	14.0 mm
Distance from center of OR to center of lubrication zone (C1)	4.0 mm
Shaft dia (d)	20.0 mm
Outer dia of OR (D)	47.0 mm
Set screw size (G)	M6x1
Distance to set screw (m)	5.0 mm
Radius IR (r)	0.6
Dist. cent. of raceway to face IR on side opp. lock. device (S)	7.0 mm
Wrench size (SW)	3.0 mm
Brand	SNR