



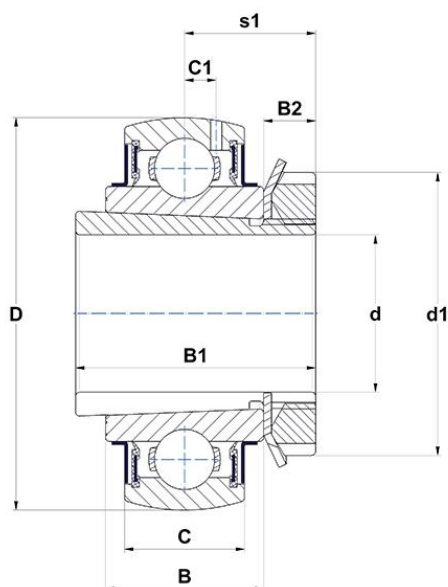
Technical data

UK205G2H

Insert bearings

Spherical outer diameter, fixing by adapter sleeve, seal with slinger

VISUAL (S)



PRODUCT PERFORMANCE

Dynamic load rating (C)	14 kN
Static load rating (C0)	7,88 kN
Operating temperature min.	-20 °C
Operating temperature max.	100 °C

OTHER FEATURES

Mass	0,24 kg
------	---------

PRODUCT DIMENSIONS

Width of IR (B)	21 mm
-----------------	-------

PRODUCT DIMENSIONS

Overall width IR incl. eccent. locking collar/adapt. sleeve(B1)	35 mm
Width of eccent. Lock. collar/nut+washer of adapter sleeve (B2)	8 mm
Width of OR (C)	17 mm
Distance from center of OR to center of lubrication zone (C1)	4,3 mm
Shaft dia (d)	20 mm
Outer dia of eccent. Lock. collar / nut of adapter sleeve (d1)	38 mm
Outer dia of OR (D)	52 mm
Brand	SNR