



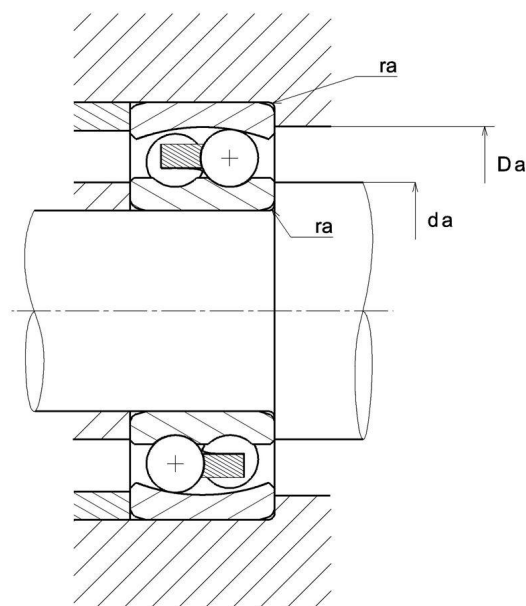
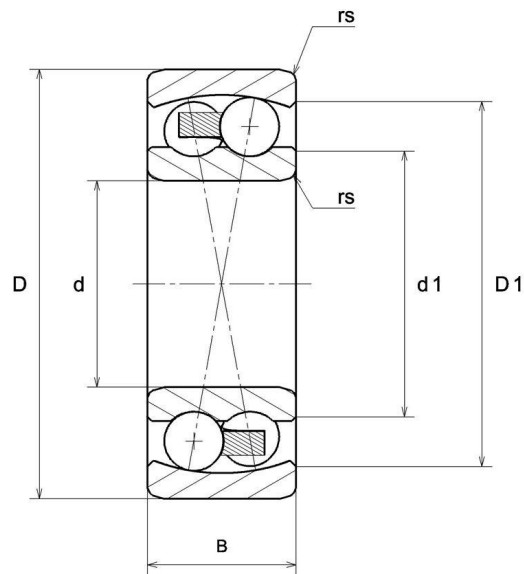
Technical data

1310G15

Double-row self-aligning ball bearings

Self-aligning ball bearing, polyamide cage, open

VISUAL (S)



1310G15

Double-row self-aligning ball bearings

PRODUCT DIMENSIONS

Internal diameter (d)	50 mm
External diameter (D)	110 mm
Bearing/Inner ring width (B)	27 mm
External diameter inner ring d1	71.2 mm
Inner diameter outer ring (D1)	92.7 mm
Min fillet radius (rs)	2 mm
Coef (e)	0.24
Lower axial load coef (Y1)	2.6
Upper axial load coef (Y2)	4.03
Static axial load coef (Y0)	2.73
Radial clearance class	CN
Precision class	P0
Mass	1.29 kg
Brand	SNR

PRODUCT PERFORMANCE

Dynamic load (C)	41.6 kN
Static load (C0)	14.2 kN
Fatigue limit load (Cu)	0.65 kN
Reference thermal speed (Nref)	6300 tr/min
Mechanical Limit Speed (Nlim)	8300 tr/min
Min operating temperature (Tmin)	-20 °C
Max operating temperature (Tmax)	120 °C

1310G15

Double-row self-aligning ball bearings

ABUTMENT

Min shoulder diameter IR (da min)	59 mm
Max shoulder diameter OR (Da max)	101 mm
Max shaft & housing fillet radius (ra max)	2 mm