



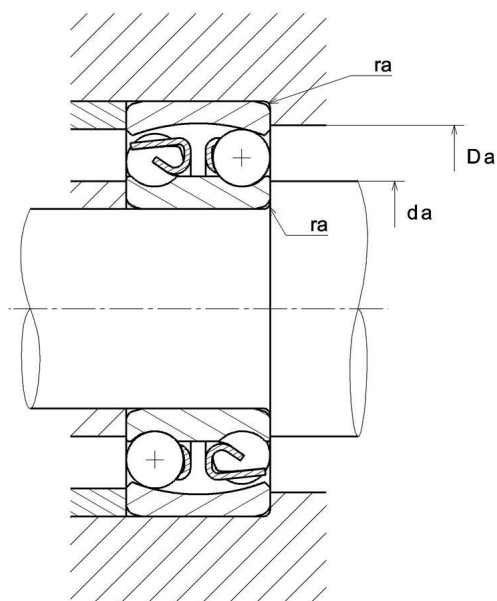
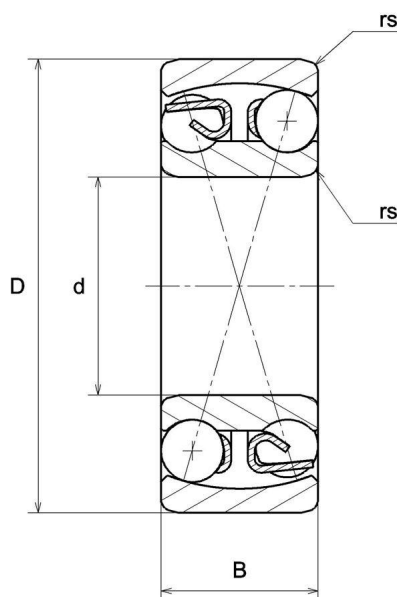
Technical data

1310SC3

Double-row self-aligning ball bearings

Self-aligning ball bearing, pressed steel cage, open

VISUAL (S)



1310SC3

Double-row self-aligning ball bearings

PRODUCT DIMENSIONS

Internal diameter (d)	50 mm
External diameter (D)	110 mm
Bearing/Inner ring width (B)	27 mm
Min fillet radius (rs)	2 mm
Coef (e)	0.23
Lower axial load coef (Y1)	2.7
Upper axial load coef (Y2)	4.2
Static axial load coef (Y0)	2.8
Radial clearance class	C3
Precision class	P0
Mass	1.23 kg
Brand	NTN

PRODUCT PERFORMANCE

Dynamic load (C)	43.5 kN
Static load (C0)	14.1 kN
Fatigue limit load (Cu)	0.35 kN
Nlim (oil)	6700 tr/min
Nlim (grease)	5600 tr/min
Min operating temperature (Tmin)	-20 °C
Max operating temperature (Tmax)	120 °C

ABUTMENT

Min shoulder diameter IR (da min)	59 mm
Max shoulder diameter OR (Da max)	101 mm

1310SC3

Double-row self-aligning ball bearings

ABUTMENT

Max shaft & housing fillet radius (ra max)

2 mm